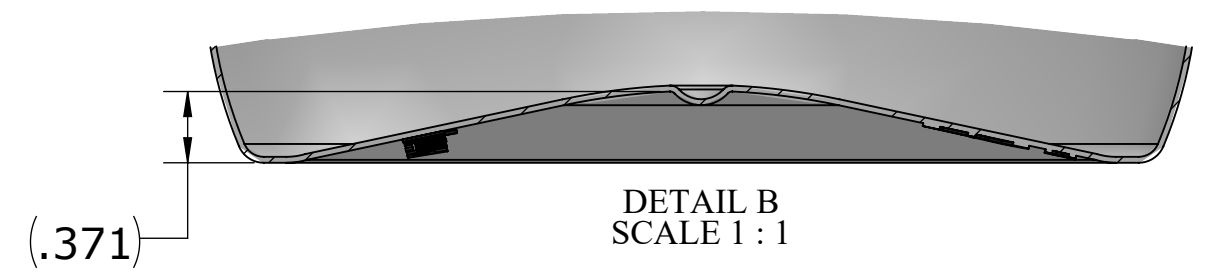
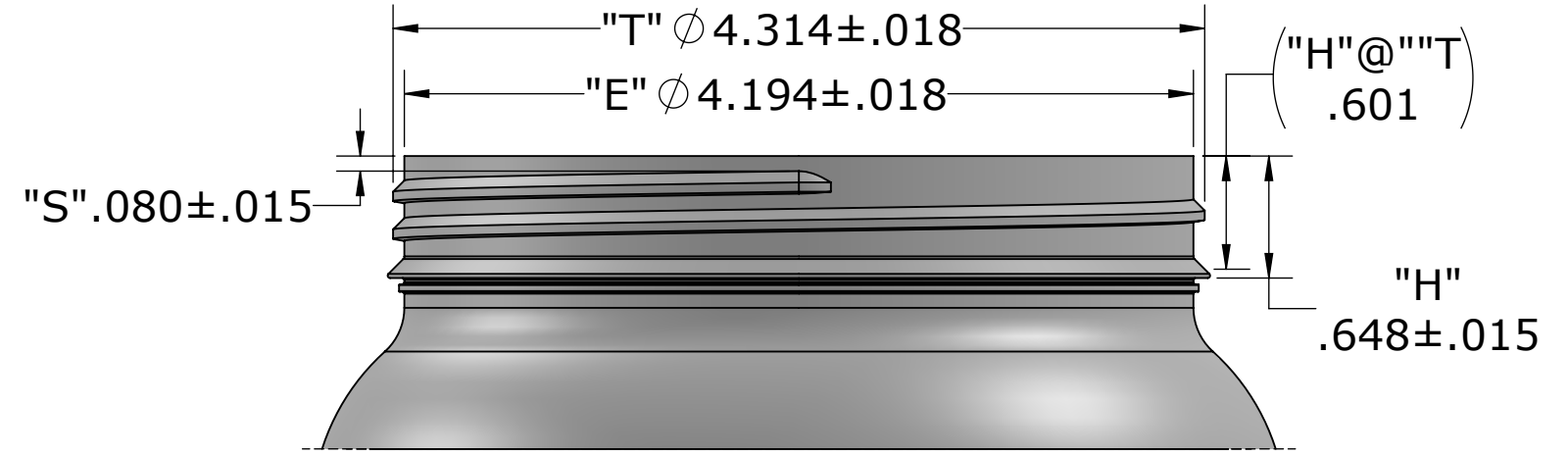
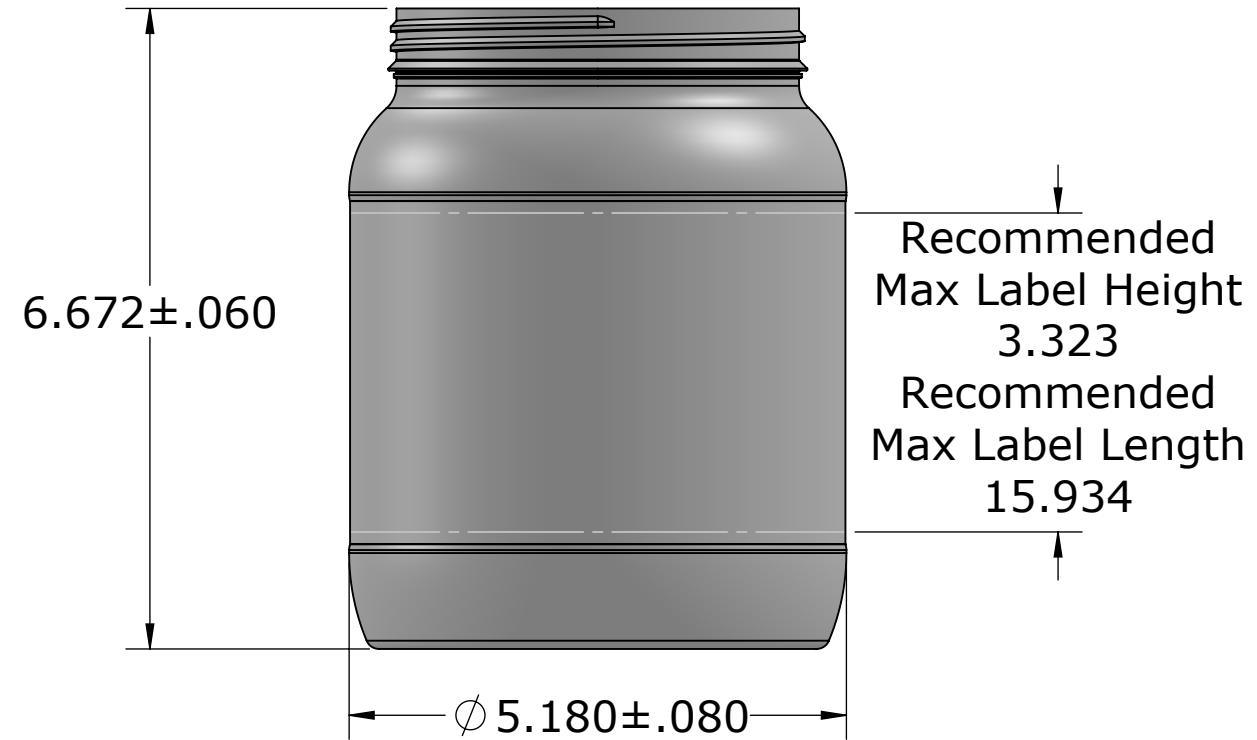



| Revision History |             |           |
|------------------|-------------|-----------|
| Rev.             | Description | Date      |
| -                | First Issue | 2/21/2023 |



|                 |      |
|-----------------|------|
| Tooling Numbers | BM - |
|-----------------|------|

| Bottle Description |                   |
|--------------------|-------------------|
| Over Flow Capacity | 68.2 oz.          |
| Industry Capacity  | 64 oz.            |
| Weight             | 90 grams          |
| Material           | PETE              |
| Neck Finish        | 110mm TE          |
| TPI                | 5                 |
| Thread Start       | 90 degrees to P/L |

**Priority Plastics Inc.** 

500 Industrial Park Drive Portland, IN 47371

|                                      |                  |            |                         |
|--------------------------------------|------------------|------------|-------------------------|
| ENG #: 068110-Round-15B 90 gram PETE | Drawn By: M.L.I. | Group: N/A | Group Height Range: N/A |
|--------------------------------------|------------------|------------|-------------------------|

Item Number: **I3003**

Description: **64 oz Boston Round**