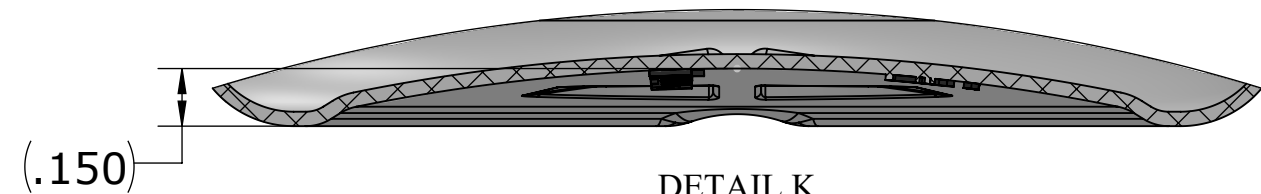
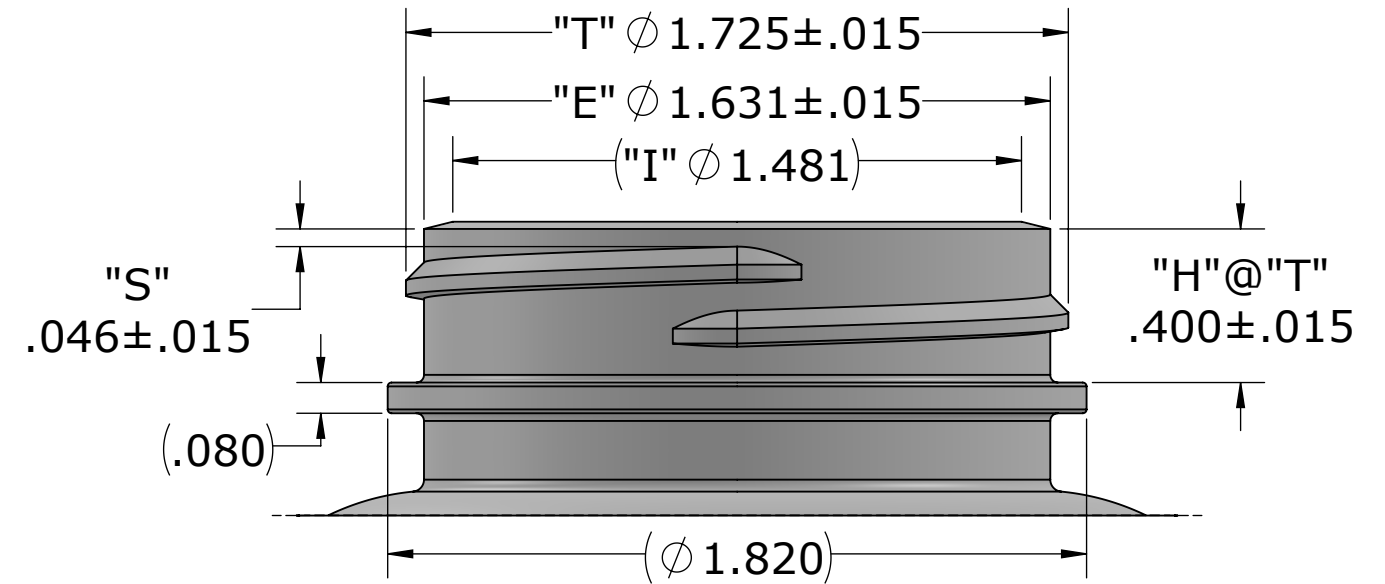
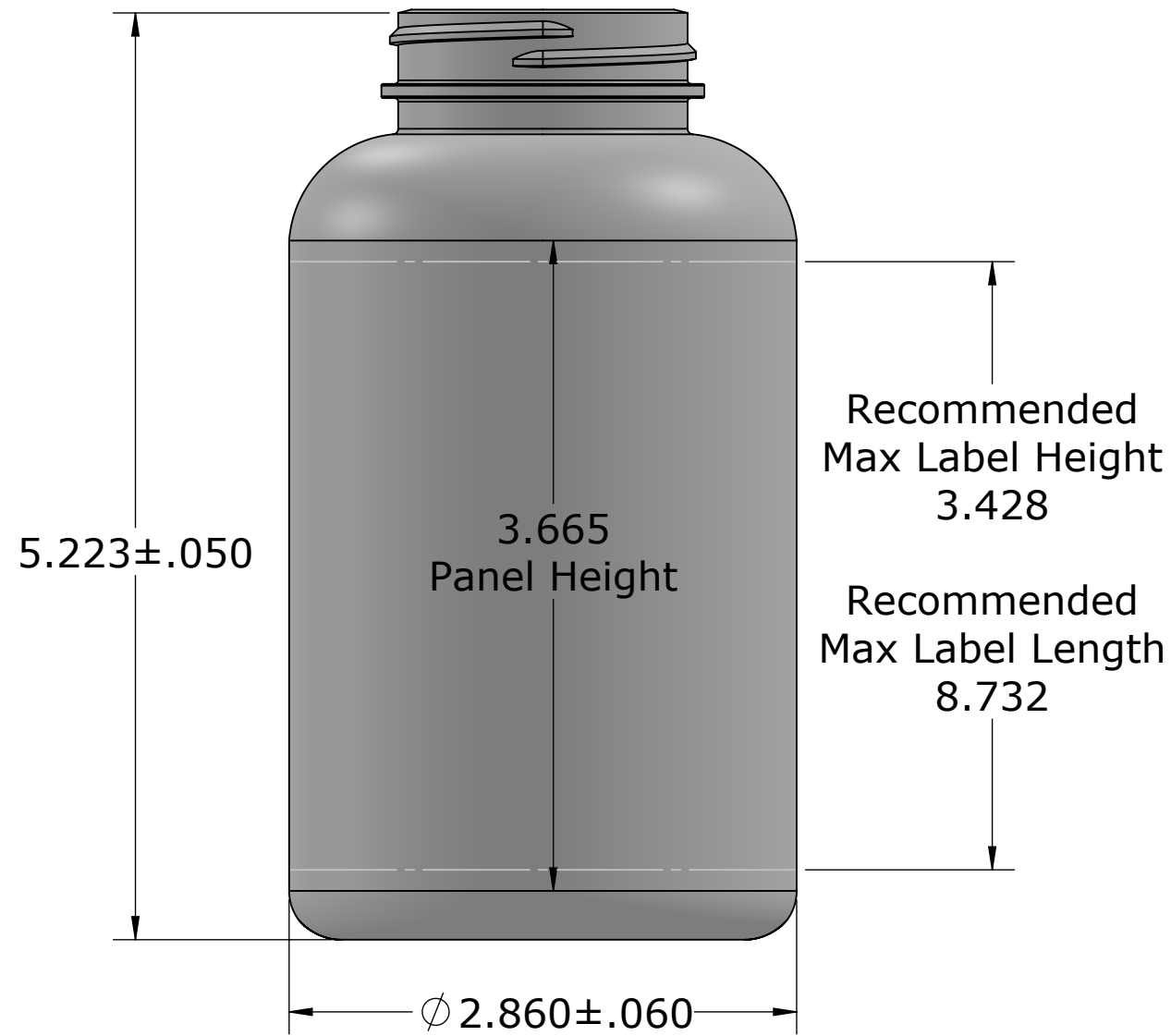
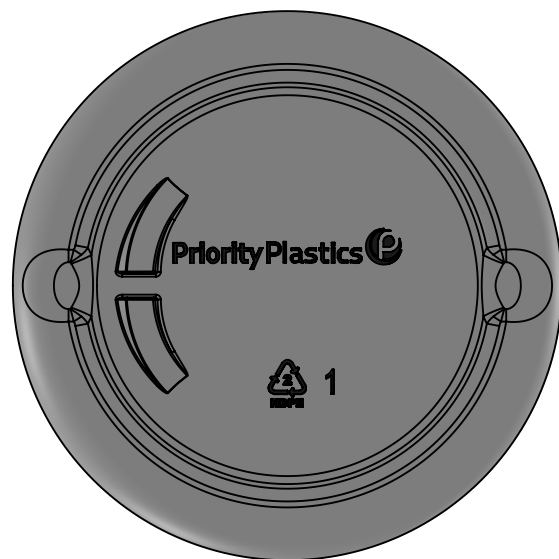


Revision History		
Rev.	Description	Date
A	First Issue	6/24/2022



DETAIL K
SCALE 2 : 1



Tooling Numbers	N/A
-----------------	-----

Bottle Description	
Over Flow Capacity	15.2 oz.
Industry Capacity	400cc
Weight	32 grams
Material	HDPE
Neck Finish	45mm
TPI	6
Thread Start	90 degrees to P/L

Priority Plastics Inc.			
500 Industrial Park Drive Portland, IN 47371			
ENG #: 400cc	Drawn By: M.L.I.	Group: N/A	Group Height Range: N/A
Item Number:		014045	
Description:		400cc Packer	