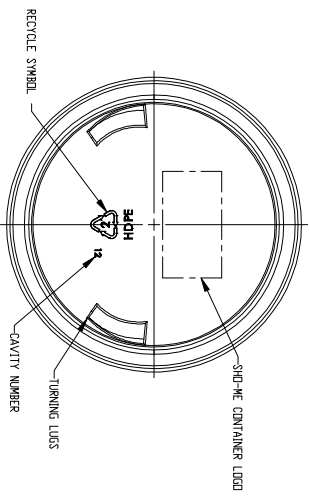
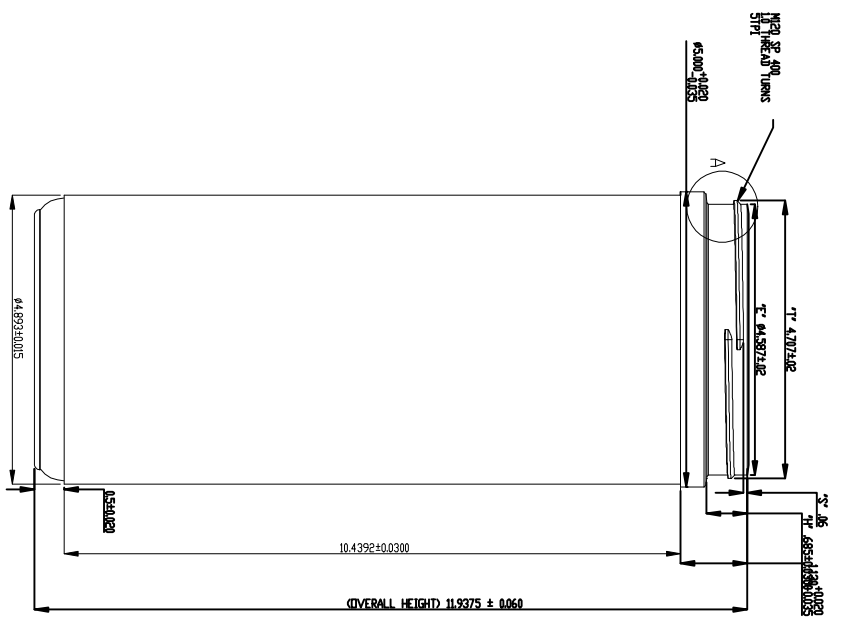


SECTION A-A



NOTE:

- WEIGHT : 120gr +/- 5gr
- CAPACITY : 120oz
- OVERFLOW CAPACITY: 120 +/- 1.500Z
- 0.015 MIN WALL THICKNESS

PROPRIETARY INFORMATION
 This drawing is the property of Priority Plastics. It contains proprietary information and is disclosed in confidence with the understanding that it is not to be reproduced or copied, disposed of, directly or indirectly, and is not to be used in whole or in part to assist in making or to furnish any information for the making of drawings, prints, or apparatus, or parts thereof, embodying features or information derived from this drawing without the express consent of Priority Plastics, Inc.

DATE	2/23/15	REVISED	
DESIGNED BY	PHOTO	DESIGNED BY	PHOTO
DRAWN BY	PHOTO	DRAWN BY	PHOTO
CHECKED BY	PHOTO	CHECKED BY	PHOTO
DATE	2/23/15	DATE	2/23/15
SCALE	1:1	SCALE	1:1
PROJECT NUMBER	120020	PROJECT NUMBER	120020
300 Jindale Park Blvd Oak Ridge, TN 37830 615-586-1100		300 Jindale Park Blvd Oak Ridge, TN 37830 615-586-1100	