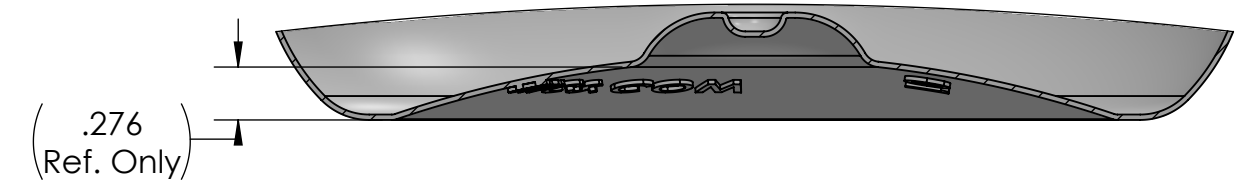
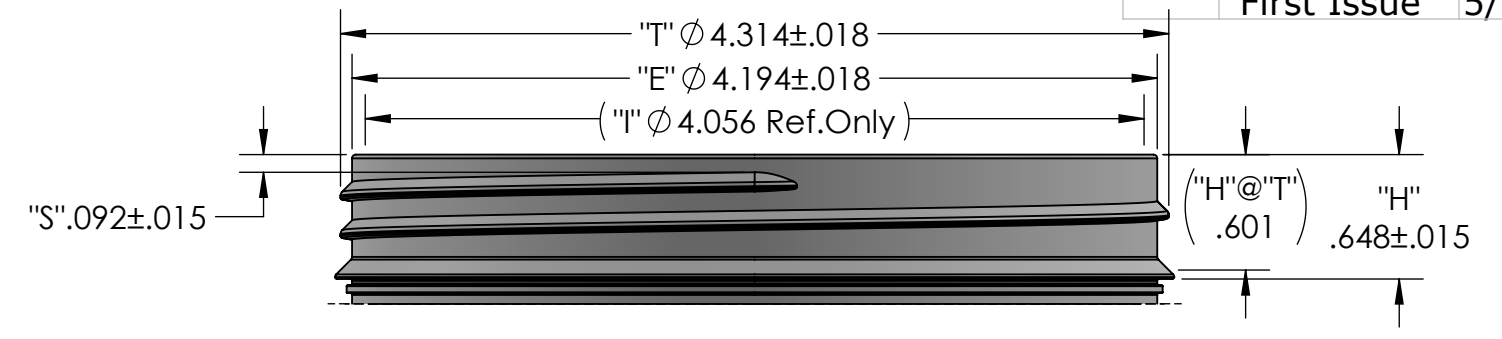
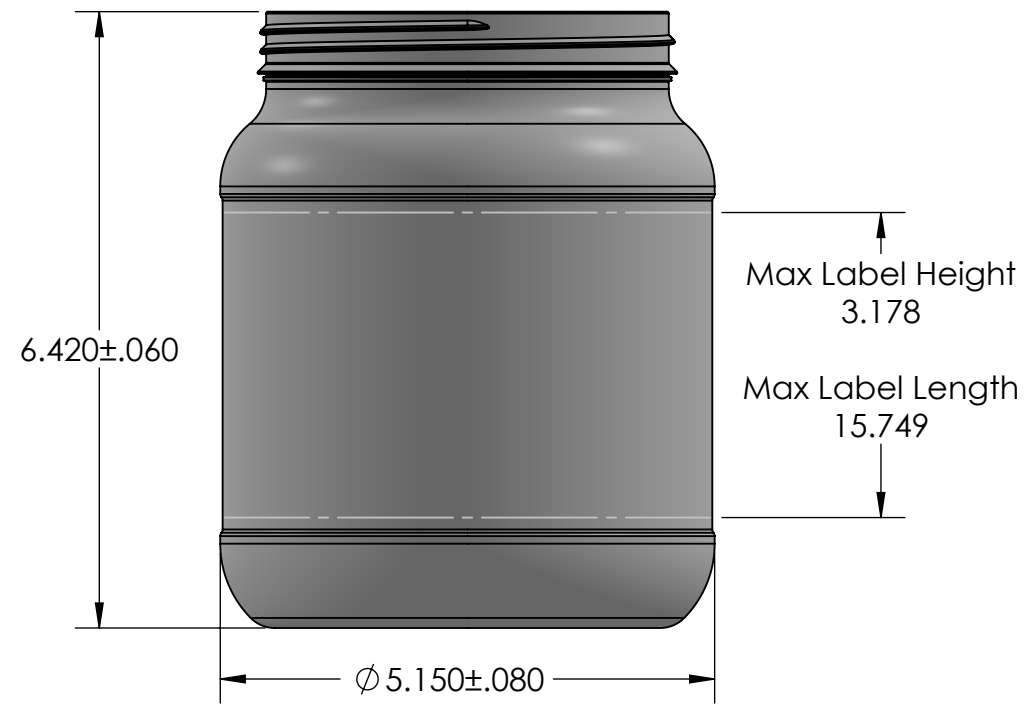


Revision History		
Rev.	Description	Date
-	First Issue	5/13/2022




DETAIL B
SCALE 1 : 1



Tooling Numbers	BM -
-----------------	------

Bottle Description	
Over Flow Capacity	64.1oz.
Industry Capacity	64 oz.
Weight	90 grams
Material	PETE
Neck Finish	110mm TE
TPI	5
Thread Start	90 degrees to P/L

Priority Plastics Inc. 

500 Industrial Park Drive Portland, IN 47371

ENG #: 064110-TE-ISB	Drawn By: M.L.I.	Group: 1 of 1	Group Height Range: 6.420
-------------------------	---------------------	------------------	------------------------------

Item Number: **I3002**

Description:
64 oz Boston Round