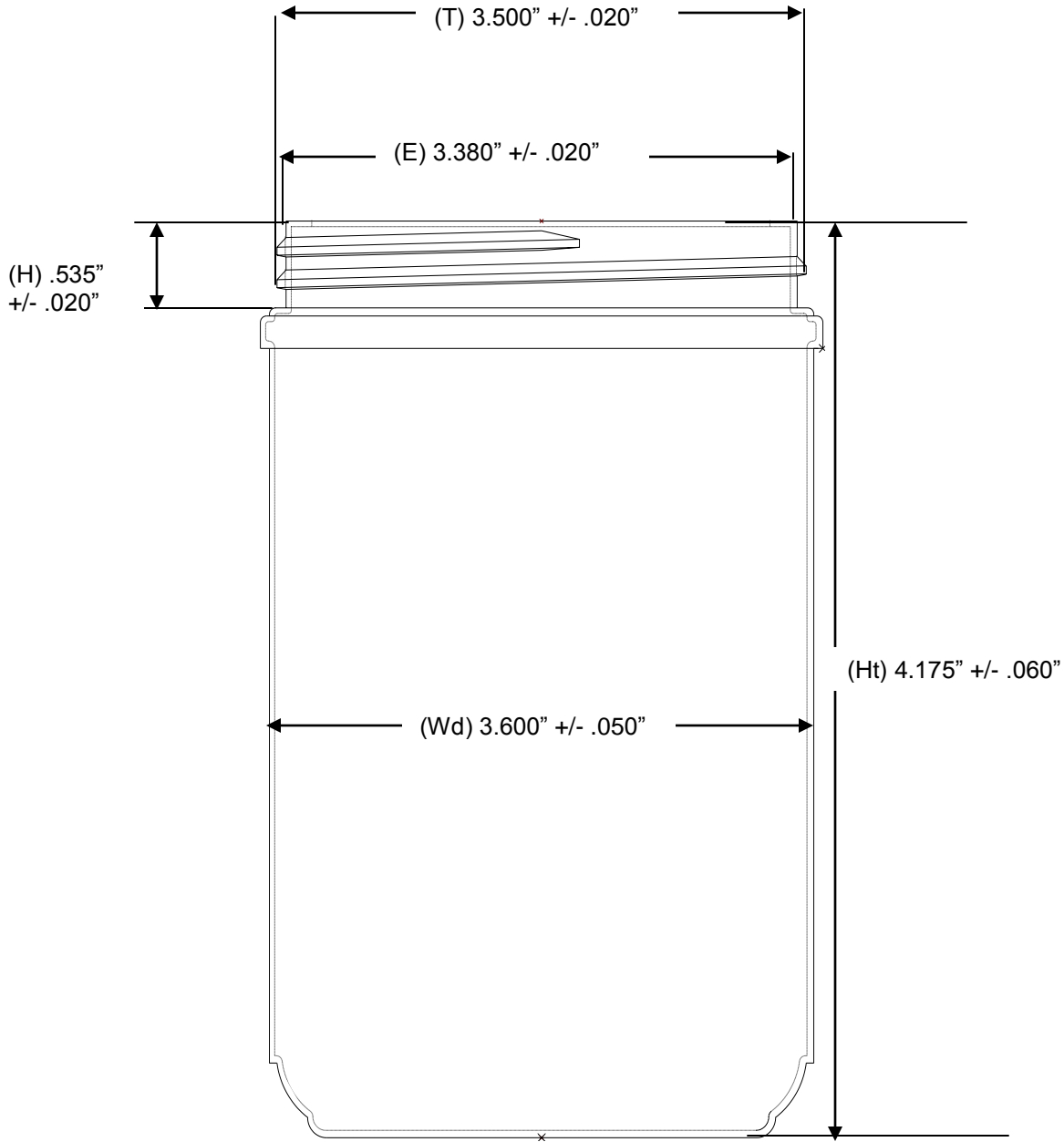


**19-89 (019089)**  
 19 Ounce-Wide Mouth Container  
 Priority Plastics, Inc.  

<b>Lid:</b> 89mm	<b>Gram Weight:</b> 31.5 grams +/- 2.0
<b>Wall Thickness Minimum:</b> .015"	<b>Colors: Stock:</b> White (custom colors available)
<b>Neck Finish:</b> 89mm Single Lead Thread	<b>Material:</b> High Density Polyethylene