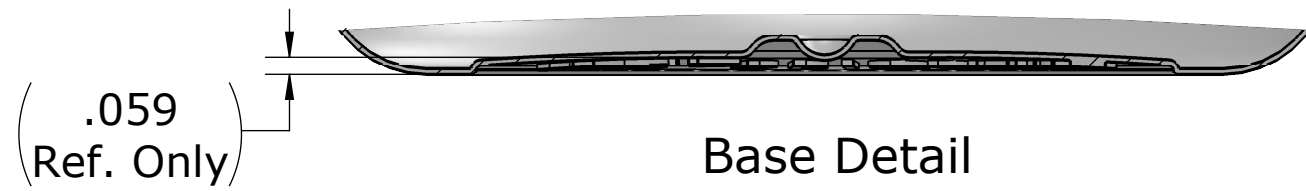
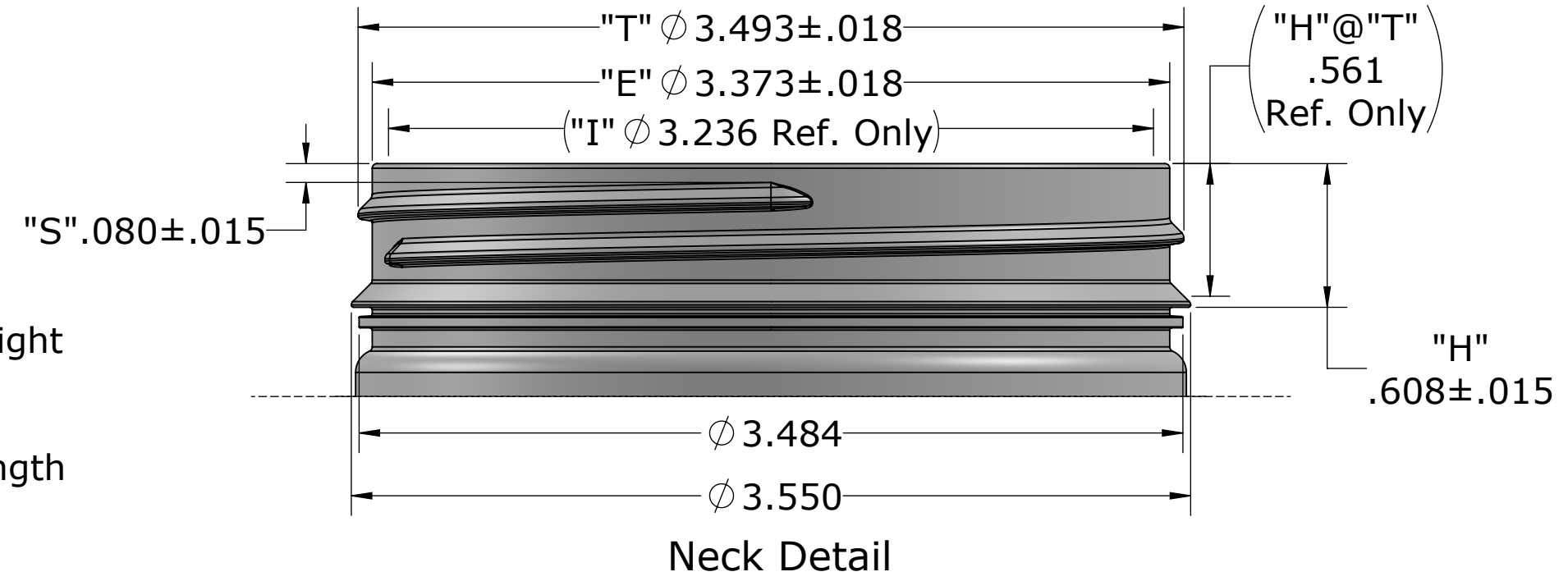
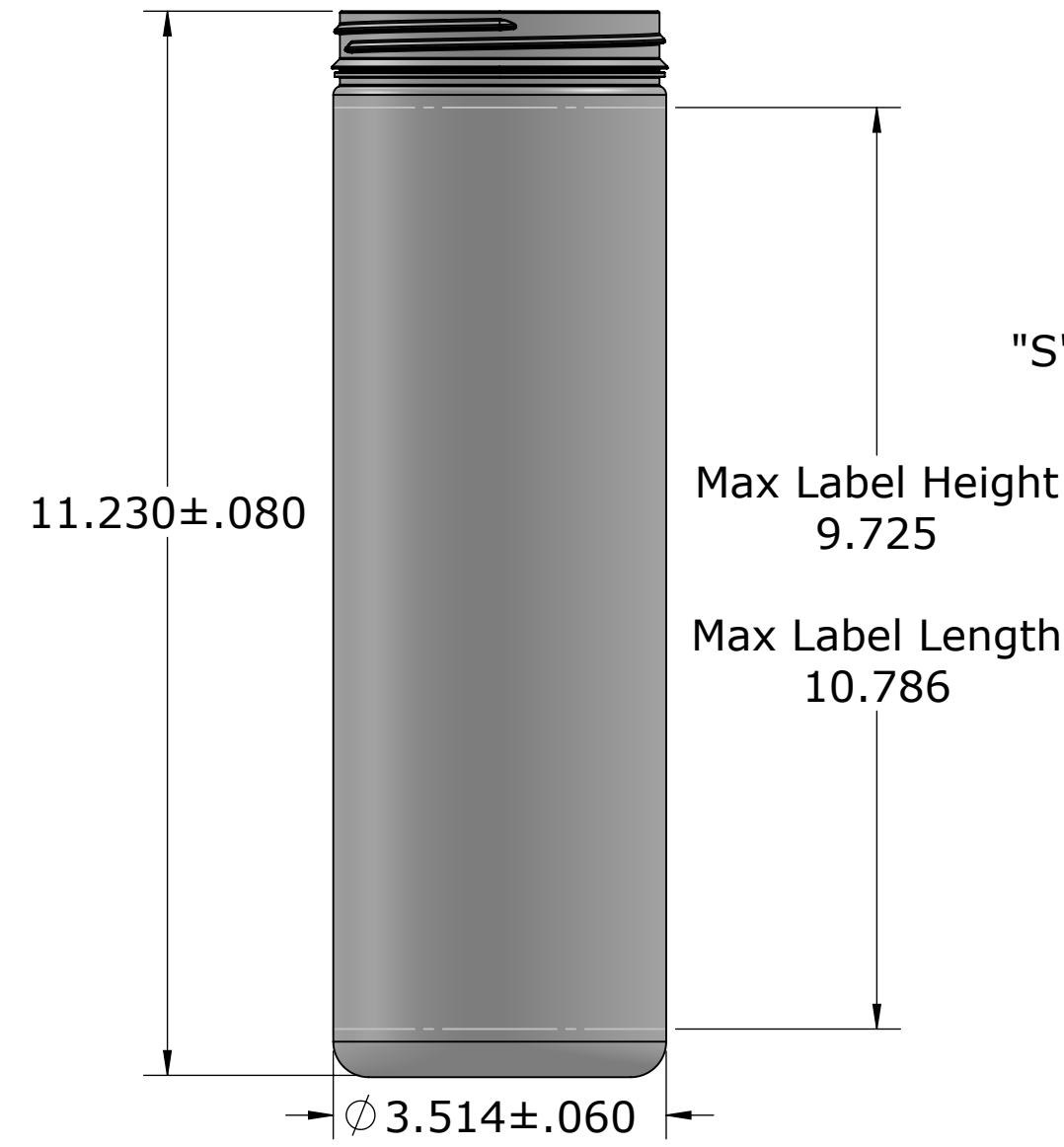


Revision History		
Rev.	Description	Date
-	First Issue	5/16/2022



Bottle Description	
Over Flow Capacity	58.1 oz.
Industry Capacity	58 oz
Weight	70 grams
Material	PETE
Neck Finish	89mm TE
TPI	5
Thread Start	90 degrees to P/L

Priority Plastics Inc.

500 Industrial Park Drive Portland, IN 47371

ENG #:	Drawn By:	Group:	Group Height Range:
058089-TE-ISB	M.L.I.	N/A	N/A

Item Number: **I2000**

Description:
89mm 58 oz Canister